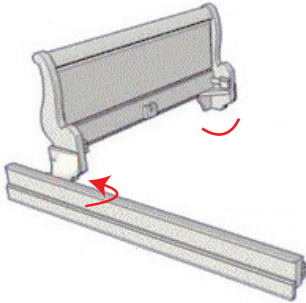


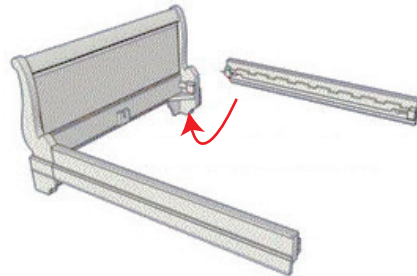
SLATS

Fitting Instructions

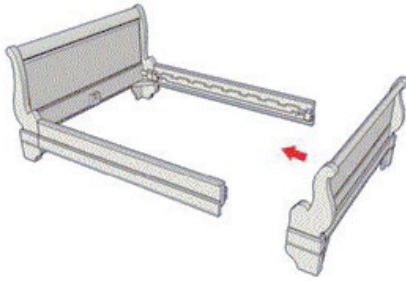
- 1 Screw the feet on the headboard and footboard



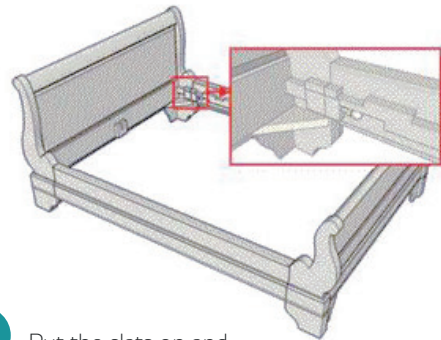
- 2 For support lean the headboard against a wall



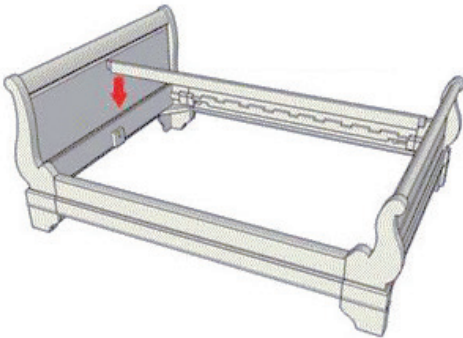
- 3 Put the side rails on the headboard and screw it up all fixture and fitting will be in position do the same with the footboard



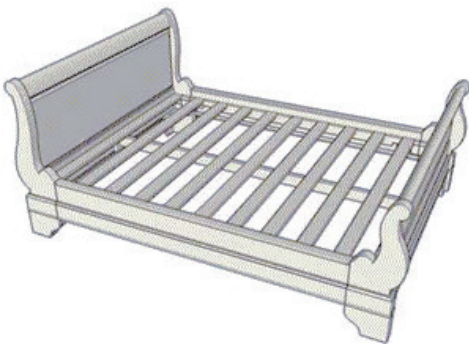
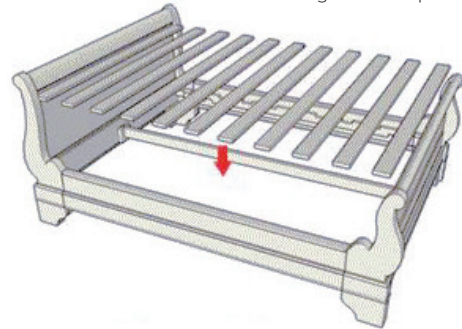
- 4 Tighten up bolts to headboard and footboard



- 5 Place the centre bar in the middle where the fixture will be in place



- 6 Put the slats on and space them equally and we would advice to screw the slats in with a drill to make the made more rigid and in place.



*Your bed is ready
place the mattress
and enjoy!*

BED
ARENA